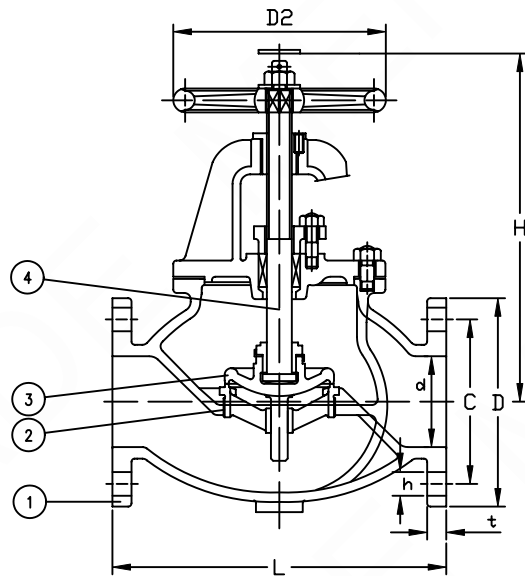


SERIES F7311(C) - JIS
5K Cast Steel Globe Valve

SERIES F7312(C) - JIS
5K Cast Steel Angle Valve

Manufactured in accordance to JIS F7400

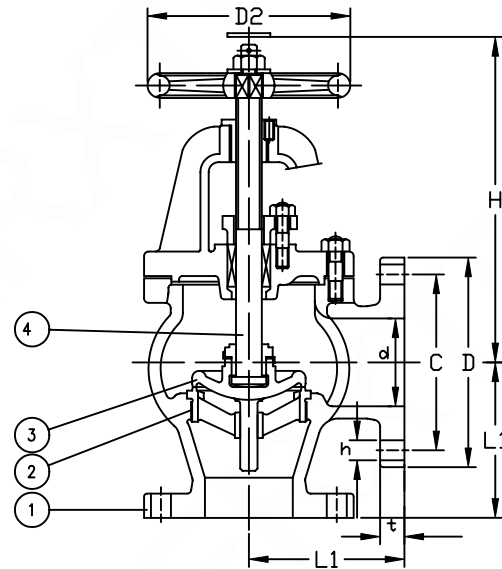
Flanges as per JIS B2220 - 5K



Series F7311
Series F7311C (SDNR)



SDNR



Series F7312
Series F7312C (SDNR)

Part Nr.	Material	Code
1 - Body	Cast Steel	SC450
2 - Seat	Stainless Steel	SUS304
3 - Disc	Stainless Steel	SUS304
4 - Stem	Stainless Steel	SUS304

Pressure	5 bar
Flanges drilled	JIS 5K

Size	JIS F7311			JIS F7312			D	C	No.	h	t	D2
	L	H	Kg	L1	H	Kg						
050	210	270	15.5	100	240	13.3	130	105	4	15	14	160
065	250	300	25.8	115	255	19.5	155	130	4	15	14	180
080	280	310	32.3	130	265	25.5	180	145	4	19	14	180
100	340	360	47.6	150	310	34.8	200	165	8	19	16	224
125	410	390	71.3	170	330	46.5	235	200	8	19	16	250
150	480	445	86	190	380	66.5	265	230	8	19	18	280
200	570	530	147	220	450	111	320	280	8	23	20	315
250	740	791	230	275	641	178	385	345	12	23	22	355
300	840	929	309	310	748	275	430	390	12	23	22	400